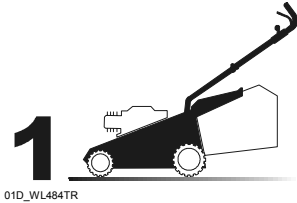


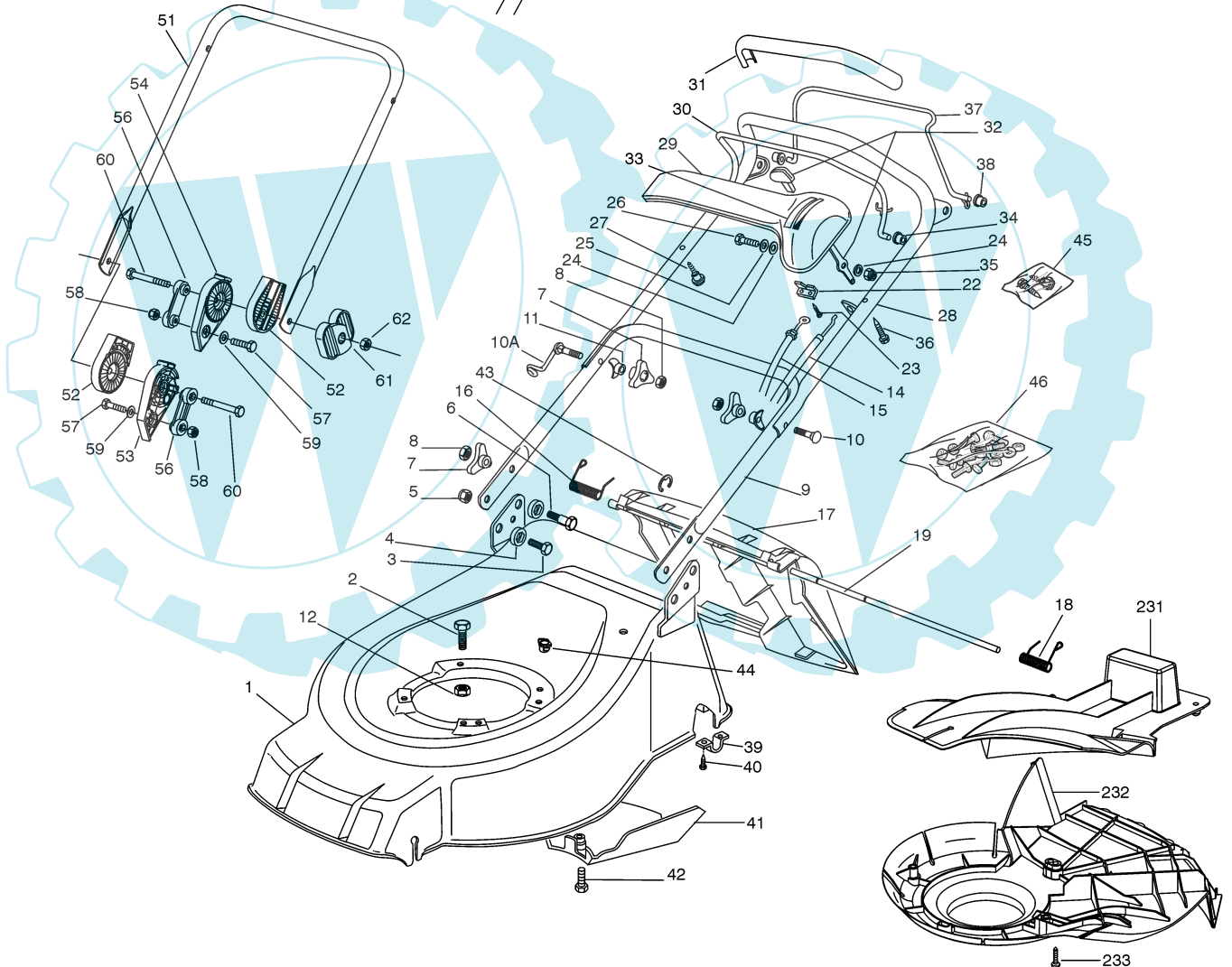
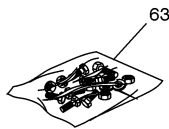
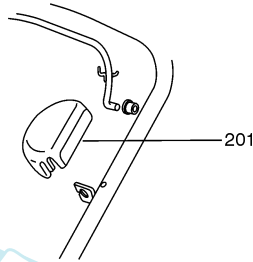
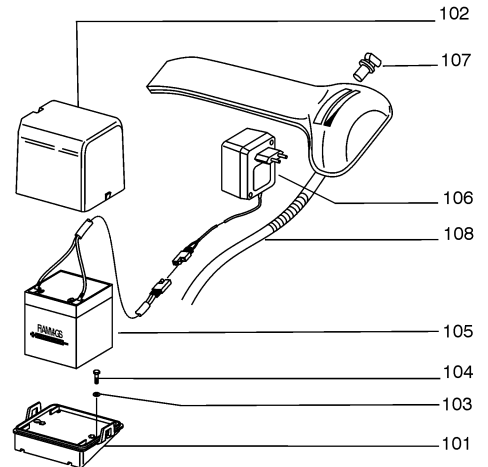
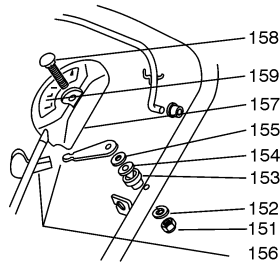
# WL 484 TR - WL 484 TR-E - WL 534 TR - WL 534 TR-E

106

GLOBAL GARDEN PRODUCTS



01D\_WL484TR



01T.064

| Pos. | Code       | Q.ty | Descrizione    | Description | Description   | Beschreibung | Remarks                   |
|------|------------|------|----------------|-------------|---------------|--------------|---------------------------|
| 1    | 81002606/0 | 1    | CHASSIS ROSSO  | DECK RED    | CHÂSSIS ROUGE | GEHÄUSE ROT  | (WL 484 TR / WL 484 TR-E) |
| -    | 81002614/0 | 1    | CHASSIS GIALLO | DECK YELLOW | CHÂSSIS JAUNE | GEHÄUSE GELB | (WL 484 TR / WL 484 TR-E) |
| -    | 81002608/0 | 1    | CHASSIS ROSSO  | DECK RED    | CHÂSSIS ROUGE | GEHÄUSE ROT  | (WL 534 TR / WL 534 TR-E) |
| -    | 81002616/0 | 1    | CHASSIS GIALLO | DECK YELLOW | CHÂSSIS JAUNE | GEHÄUSE GELB | (WL 534 TR / WL 534 TR-E) |
| 2    | 12691800/0 | 0/1  | VITE           | SCREW       | VIS           | SCHRAUBE     |                           |
| -    | 12793701/0 | 3/2  | VITE           | SCREW       | VIS           | SCHRAUBE     |                           |

**WL 484 TR - WL 484 TR-E - WL 534 TR - WL 534 TR-E**

106

**GLOBAL GARDEN PRODUCTS**

01T.064

| Pos. | Code       | Q.ty | Descrizione               | Description               | Description                  | Beshreibung          | Remarks                              |
|------|------------|------|---------------------------|---------------------------|------------------------------|----------------------|--------------------------------------|
| 3    | 12792610/0 | 2    | VITE                      | SCREW                     | VIS                          | SCHRAUBE             |                                      |
| 4    | 22041955/0 | 4    | BUSSOLA                   | BUSH                      | DOUILLE                      | BUCHSE               |                                      |
| 5    | 12155000/0 | 2    | DADO                      | NUT                       | ECROU                        | MUTTER               |                                      |
| 6    | 12793700/0 | 2    | VITE                      | SCREW                     | VIS                          | SCHRAUBE             |                                      |
| 7    | 22399900/0 | 4    | MANOPOLINA                | KNOB                      | POIGNÉE                      | GRIFF                |                                      |
| 8    | 12293200/0 | 4    | DADO                      | NUT                       | ECROU                        | MUTTER               |                                      |
| 9    | 81006512/0 | 1    | MANICO, PARTE INF         | HANDLE, LOWER PART        | MANCHERON, PARTIE INFÉRIEURE | HOLM, UNTERTEIL      | (WL 484 TR / WL 484 TR-E)            |
| -    | 81006990/0 | 1    | MANICO, PARTE INF         | HANDLE, LOWER PART        | MANCHERON, PARTIE INFÉRIEURE | HOLM, UNTERTEIL      | (WL 534 TR / WL 534 TR-E)            |
| 10   | 12819201/0 | 1    | VITE                      | SCREW                     | VIS                          | SCHRAUBE             |                                      |
| 10A  | 81003801/1 | 1    | MOLLA GUIDA               | SPRING                    | RESSORT                      | FEDER                |                                      |
| 11   | 22680006/1 | 2    | ROSETTA                   | WASHER                    | RONDELLE                     | SCHIBE               |                                      |
| 12   | 12155000/0 | 0/1  | DADO                      | NUT                       | ECROU                        | MUTTER               |                                      |
| -    | 12293201/0 | 3/2  | DADO                      | NUT                       | ECROU                        | MUTTER               |                                      |
| 14   | 81007160/0 | 1    | CAVO ACCELERATORE         | CABLE, TROTTLE            | CABLE, ACCELERATEUR          | KABEL, BESCHLEUNIGER |                                      |
| 15   | 81000643/0 | 1    | CAVO FRENO MOTORE         | CABLE, THREAD MOTOR BRAKE | CABLE FREIN MOTEUR           | KABEL, MOTORBREMSE   | (WL 534 TR B&S CLASSIC/SPRINT/LS/LC) |
| -    | 81000625/0 | 1    | CAVO FRENO MOTORE         | CABLE, THREAD MOTOR BRAKE | CABLE FREIN MOTEUR           | KABEL, MOTORBREMSE   | (WL 484 TR B&S CLASSIC/SPRINT/LS/LC) |
| -    | 81000640/0 | 1    | CAVO FRENO MOTORE         | CABLE, THREAD MOTOR BRAKE | CABLE FREIN MOTEUR           | KABEL, MOTORBREMSE   | (WL 484 TR HONDA GCV 135/160)        |
| -    | 81000631/0 | 1    | CAVO FRENO MOTORE         | CABLE, THREAD MOTOR BRAKE | CABLE FREIN MOTEUR           | KABEL, MOTORBREMSE   | (WL 484 TR/TR-E B&S QUANTUM/ES45)    |
| -    | 81000641/0 | 1    | CAVO FRENO MOTORE         | CABLE, THREAD MOTOR BRAKE | CABLE FREIN MOTEUR           | KABEL, MOTORBREMSE   | (WL 484 TR/TR-E HONDA GCV 135/160)   |
| -    | 81000629/1 | 1    | CAVO FRENO MOTORE         | CABLE, THREAD MOTOR BRAKE | CABLE FREIN MOTEUR           | KABEL, MOTORBREMSE   | (WL 484 TR/TR-E TECUMSEH)            |
| -    | 81000642/0 | 1    | CAVO FRENO MOTORE         | CABLE, THREAD MOTOR BRAKE | CABLE FREIN MOTEUR           | KABEL, MOTORBREMSE   | (WL 534 TR/TR-E B&S QUANTUM/ES45)    |
| -    | 81000644/0 | 1    | CAVO FRENO MOTORE         | CABLE, THREAD MOTOR BRAKE | CABLE FREIN MOTEUR           | KABEL, MOTORBREMSE   | (WL 534 TR/TR-E TECUMSEH)            |
| 16   | 22450410/1 | 1    | MOLLA DX                  | R SPRING                  | RESSORT D                    | RECHTE FEDER         |                                      |
| 17   | 22600063/1 | 1    | PARASASSI                 | STONE-GUARD               | PARE-PIERRES                 | PRALLBLECH           |                                      |
| 18   | 22450420/1 | 1    | MOLLA SX                  | L SPRING                  | RESSORT G                    | LINKE FEDER          |                                      |
| 19   | 22517906/1 | 1    | PERNO                     | PIN                       | PIVOT                        | BOLZEN               |                                      |
| 22   | 22981467/0 | 1    | PIASTRINA                 | PLATE                     | PLAQUETTE                    | PLATTE               |                                      |
| 23   | 12735105/0 | 2    | VITE                      | SCREW                     | VIS                          | SCHRAUBE             |                                      |
| 24   | 12523040/0 | 2    | ROSETTA                   | WASHER                    | RONDELLE                     | SCHIBE               |                                      |
| 25   | 12530060/0 | 1    | ROSETTA ELASTICA          | ELASTIC WASHER            | RONDELLE ELASTIQUE           | ELASTISCHE SCHIBE    |                                      |
| 26   | 12791500/0 | 1    | VITE                      | SCREW                     | VIS                          | SCHRAUBE             |                                      |
| 27   | 22943006/0 | 1    | VITE                      | SCREW                     | VIS                          | SCHRAUBE             |                                      |
| 28   | 81007024/0 | 1    | MANICO, PARTE SUP         | HANDLE, UPPER PART        | MANCHERON, PARTIE SUPÉRIEURE | HOLM, OBERTEIL       |                                      |
| 29   | 22120152/0 | 1    | CRUSCOTTO GIALLO          | DASH BOARD YELLOW         | CONSOLE JAUNE                | KONSOLE GELBE        |                                      |
| -    | 22120154/0 | 1    | CRUSCOTTO ROSSO           | DASH BOARD RED            | CONSOLE ROUGE                | KONSOLE ROTE         |                                      |
| -    | 22120158/0 | 1    | CRUSCOTTO NERO            | DASH BOARD BLACK          | CONSOLE NOIRE                | KONSOLE SCHWARZE     |                                      |
| 30   | 81003291/2 | 1    | LEVA FRENO MOTORE         | LEVER, MOTOR BRAKE        | LEVIER FREIN MOTEUR          | HEBEL, MOTORBREMSE   |                                      |
| 31   | 22291050/0 | 1    | IMPUGNATURA MANICO NERA   | HANDGRIP BLACK            | POIGNÉE NOIRE                | HANDGRIFF SCHWARZER  |                                      |
| -    | 22291051/0 | 1    | IMPUGNATURA MANICO ROSSA  | HANDGRIP RED              | POIGNÉE ROUGE                | HANDGRIFF RÖTER      |                                      |
| -    | 22291052/0 | 1    | IMPUGNATURA MANICO GIALLA | HANDGRIP YELLOW           | POIGNÉE JAUNE                | HANDGRIFF GELBER     |                                      |
| 32   | 81007280/2 | 1    | LEVA, ACCELERATORE        | LEVER, THROTTLE           | LEVIER, ACCELERATEUR         | HEBEL, BESHLEUNIGER  |                                      |
| 33   | 14356744/0 | 1    | ETICHETTA                 | LABEL                     | ETIQUETTE                    | ETIKETTE             | (B&S)                                |
| -    | 14356743/0 | 1    | ETICHETTA                 | LABEL                     | ETIQUETTE                    | ETIKETTE             | (HONDA)                              |
| -    | 14357646/0 | 1    | ETICHETTA                 | LABEL                     | ETIQUETTE                    | ETIKETTE             | (TECUMSEH)                           |
| 34   | 22041966/0 | 2    | BUSSOLA                   | BUSH                      | DOUILLE                      | BUCHSE               |                                      |
| 35   | 12154510/0 | 1    | DADO                      | NUT                       | ECROU                        | MUTTER               |                                      |
| 36   | 12728460/0 | 1    | VITE                      | SCREW                     | VIS                          | SCHRAUBE             |                                      |
| 37   | 81003288/1 | 1    | LEVA TRAZIONE             | LEVER, DRIVING            | LEVIER TRACTION              | HEBEL, ANTRIEB       |                                      |
| 38   | 22041965/0 | 2    | BUSSOLA                   | BUSH                      | DOUILLE                      | BUCHSE               |                                      |

**WL 484 TR - WL 484 TR-E - WL 534 TR - WL 534 TR-E****GLOBAL GARDEN PRODUCTS**

01T.064

| Pos. | Code       | Q.ty | Descrizione                 | Description               | Description                | Beschreibung            | Remarks                   |
|------|------------|------|-----------------------------|---------------------------|----------------------------|-------------------------|---------------------------|
| 39   | 22545152/0 | 2    | PIASTRINA                   | PLATE                     | PLAQUETTE                  | PLATTE                  |                           |
| 40   | 12731350/0 | 4    | VITE                        | SCREW                     | VIS                        | SCHRAUBE                |                           |
| 41   | 22060192/0 | 1    | CARTER CINGHIA              | PROTECTION, BELT          | PROTECTION COURROIRE       | SCHUTZ, RIEMEN          | (WL 484 TR / WL 484 TR-E) |
| -    | 22060193/0 | 1    | CARTER CINGHIA              | PROTECTION, BELT          | PROTECTION COURROIRE       | SCHUTZ, RIEMEN          | (WL 534 TR / WL 534 TR-E) |
| 42   | 12727791/0 | 1    | VITE                        | SCREW                     | VIS                        | SCHRAUBE                | (WL 484 TR / WL 484 TR-E) |
| -    | 12728530/0 | 1    | VITE                        | SCREW                     | VIS                        | SCHRAUBE                | (WL 534 TR / WL 534 TR-E) |
| 43   | 12000930/0 | 1    | ANELLO ELASTICO             | SNAP RING                 | ANNEAU RESSORT             | SPRENGRING              |                           |
| 44   | 22291150/0 | 1    | INSERTO IN GOMMA            | RUBBER INSERT             | INSERT DE GAOUTCHOU        | GUMMI EINSATZ           |                           |
| 45   | 81008609/0 | 1    | DOTAZIONE VITERIA CRUSCOTTO | OUTFIT, DASH-BOARD SCREWS | DOTATION VISSERIE CONSOLLE | SATZ, KONSOLE SCHRAUBEN |                           |
| 46   | 81008614/2 | 1    | DOTAZIONE VITERIA           | OUTFIT, SCREWS            | DOTATION VISSERIE          | SATZ, SCHRAUBEN         |                           |

**VARIANTE REGOLAZIONE MANICO - HANDLE ADJUSTMENT MODIFICATION - MODIFICATION REGLAGE POIGNEE - ÄNDERUNG GRIFFENSTEEL**

01T.064

| Pos. | Code       | Q.ty | Descrizione         | Description         | Description                  | Beschreibung     | Remarks |
|------|------------|------|---------------------|---------------------|------------------------------|------------------|---------|
| 51   | 81006510/0 | 1    | MANICO, PARTE INF   | HANDLE, LOWER PART  | MANCHERON, PARTIE INFERIEURE | HOLM, UNTERTEIL  |         |
| 52   | 22785081/1 | 2    | SUPPORTO ESTERNO    | SUPPORT, EXTERNAL   | SUPPORT EXTERNE              | HALTER, AUßERE   |         |
| 53   | 22785082/0 | 1    | SUPPORTO INTERNO DX | SUPPORT, R INTERNAL | SUPPORT INTERNE D            | HALTER, INNERE R |         |
| 54   | 22785083/1 | 1    | SUPPORTO INTERNO SX | SUPPORT, L INTERNAL | SUPPORT INTERNE G            | HALTER, INNERE L |         |
| 56   | 22551575/0 | 2    | PIASTRINA INTERNA   | PLATE, INSIDE       | PLAQUETTE INTERNE            | PLATTE, INNERE   |         |
| 57   | 12793701/0 | 2    | VITE                | SCREW               | VIS                          | SCHRAUBE         |         |
| 58   | 12155000/0 | 2    | DADO                | NUT                 | ECROU                        | MUTTER           |         |
| 59   | 12521350/0 | 2    | ROSETTA             | WASHER              | RONDELLE                     | SCHEIBE          |         |
| 60   | 12691810/0 | 2    | VITE                | SCREW               | VIS                          | SCHRAUBE         |         |
| 61   | 22399803/0 | 2    | MANOPOLINA          | KNOB                | POIGNÉE                      | GRIFF            |         |
| 62   | 12293202/0 | 2    | DADO                | NUT                 | ECROU                        | MUTTER           |         |
| 63   | 81008623/1 | 1    | DOTAZIONE VITERIA   | OUTFIT, SCREWS      | DOTATION VISSERIE            | SATZ, SCHRAUBEN  |         |

**VARIANTI PER AVVIAMENTO ELETTRICO - PARTS FOR ELECTIC START - COMPOSANTS POUR DÉMARRAGE ÉLECTRIQUE - ELEKTROSTART BESTANDTEILE**

01T.008

| Pos. | Code       | Q.ty | Descrizione       | Description      | Description          | Beschreibung     | Remarks                  |
|------|------------|------|-------------------|------------------|----------------------|------------------|--------------------------|
| 101  | 22785123/0 | 1    | SUPPORTO BATTERIA | SUPPORT, BATTERY | SUPPORT BATTERIE     | HALTER, BATTERIE | (B&S - TECUMSEH CENTURA) |
| -    | 22785122/0 | 1    | SUPPORTO BATTERIA | SUPPORT, BATTERY | SUPPORT BATTERIE     | HALTER, BATTERIE | (TECUMSEH PRISMA)        |
| 102  | 22109530/0 | 1    | COPERCHIO         | COVER            | COUVERCLE            | DECKEL           |                          |
| 103  | 12521310/0 | 2    | ROSETTA           | WASHER           | RONDELLE             | SCHEIBE          | (B&S - TECUMSEH CENTURA) |
| 104  | 12731590/0 | 2    | VITE              | SCREW            | VIS                  | SCHRAUBE         | (B&S - TECUMSEH CENTURA) |
| -    | 12728520/0 | 2    | VITE              | SCREW            | VIS                  | SCHRAUBE         | (TECUMSEH PRISMA)        |
| 105  | 18120052/0 | 1    | BATTERIA          | BATTERY          | BATTERIE             | BATTERIE         |                          |
| 106  | 18204120/0 | 1    | CARICA BATTERIA   | BATTERY CHARGER  | CHARGEUR DE BATTERIE | LADGERÄT         |                          |
| 107  | 18450050/0 | 1    | INTERRUPTORE      | SWITCH           | INTERRUPTEUR         | SCHALTER         |                          |
| 108  | 18204192/2 | 1    | CAVO AVVIAMENTO   | CABLE, START     | CABLE DÉMARRAGE      | KABEL, START     | (B&S)                    |
| -    | 18204190/3 | 1    | CAVO AVVIAMENTO   | CABLE, START     | CABLE DÉMARRAGE      | KABEL, START     | (TECUMSEH)               |

**VARIANTE ACCELERATORE - THROTTLE MODIFICATION - MODIFICATION COMMANDE D'ACCELERATION - ÄNDERUNGEN AUF GASHEBEL**

01T.005

| Pos. | Code       | Q.ty | Descrizione        | Description     | Description          | Beschreibung         | Remarks |
|------|------------|------|--------------------|-----------------|----------------------|----------------------|---------|
| 151  | 12291000/0 | 1    | DADO               | NUT             | ECROU                | MUTTER               |         |
| 152  | 12581500/0 | 1    | GROWER             | GROWER          | GROWER               | FEDERRING            |         |
| 153  | 22171005/0 | 1    | DISTANZIALE        | SPACER          | ENTRETOISE           | DISTANZRING          |         |
| 154  | 12521360/0 | 1    | ROSETTA            | WASHER          | RONDELLE             | SCHEIBE              |         |
| 155  | 12508100/0 | 1    | ROSETTA ELASTICA   | SPRING WASHER   | RONDELLE ELASTIQUE   | ELASTISCHE SCHEIBE   |         |
| 156  | 81007279/0 | 1    | LEVA, ACCELERATORE | LEVER, THROTTLE | LEVIER, ACCELERATEUR | HEBEL, BESHLEUNIGER  |         |
| 157  | 81007080/0 | 1    | CAVO ACCELERATORE  | CABLE, TROTTLE  | CABLE, ACCELERATEUR  | KABLE, BESCHLEUNIGER |         |
| 158  | 12815000/0 | 1    | VITE               | SCREW           | VIS                  | SCHRAUBE             |         |

**WL 484 TR - WL 484 TR-E - WL 534 TR - WL 534 TR-E****GLOBAL GARDEN PRODUCTS**

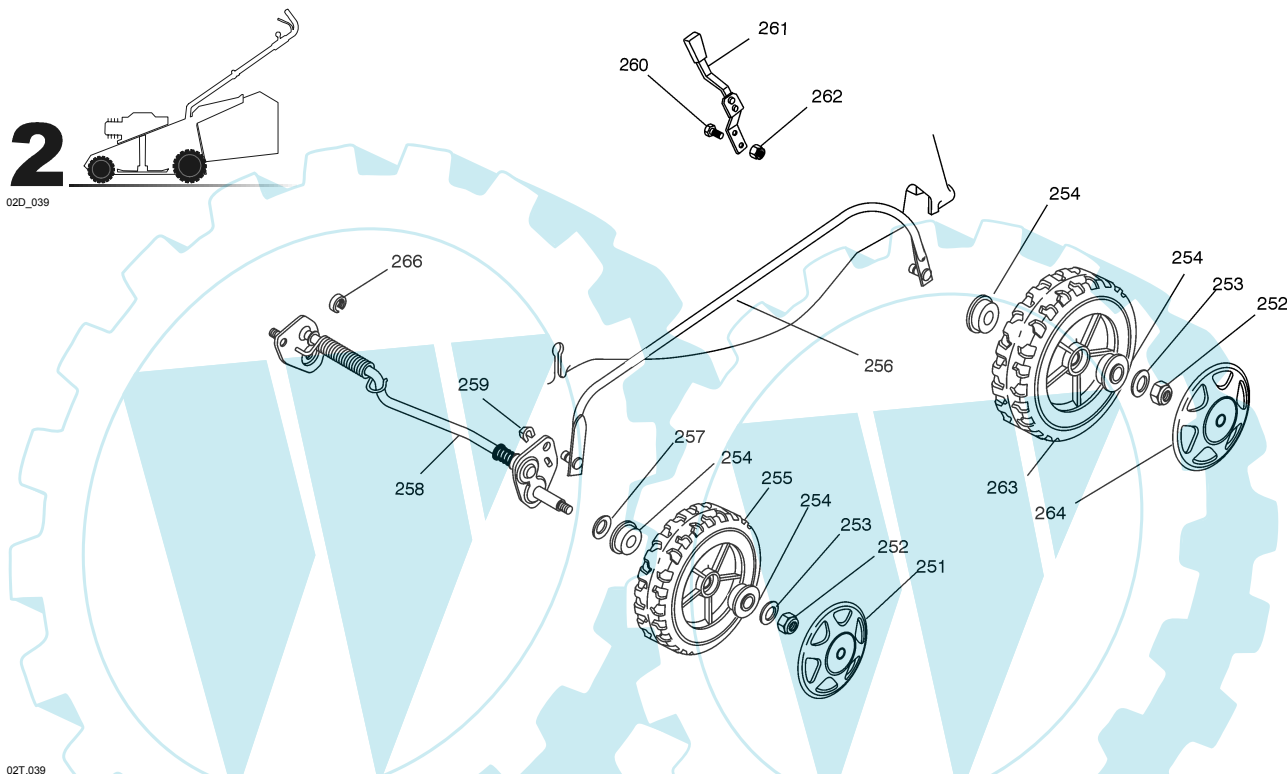
01T.005

| Pos. | Code       | Q.ty | Descrizione | Description | Description | Beshreibung | Remarks    |
|------|------------|------|-------------|-------------|-------------|-------------|------------|
| 159  | 14356703/0 | 1    | ETICHETTA   | LABEL       | ETIQUETTE   | ETIKETTE    | (B&S)      |
| -    | 14356702/0 | 1    | ETICHETTA   | LABEL       | ETIQUETTE   | ETIKETTE    | (HONDA)    |
| -    | 14356905/0 | 1    | ETICHETTA   | LABEL       | ETIQUETTE   | ETIKETTE    | (TECUMSEH) |

VARIANTE REGIME FISSO - FIXED SPEED MODIFICATION - MODIFICATION POUR MODÈLE À REGIME FIXE - ÄNDERUNGEN FÜR MODELLE MIT FESTEN DREH

01T.006

| Pos. | Code       | Q.ty | Descrizione | Description | Description | Beshreibung | Remarks |
|------|------------|------|-------------|-------------|-------------|-------------|---------|
| 201  | 22601000/0 | 1    | PROTEZIONE  | PROTECTION  | PROTECTION  | SCHUTZ      |         |



02T.039

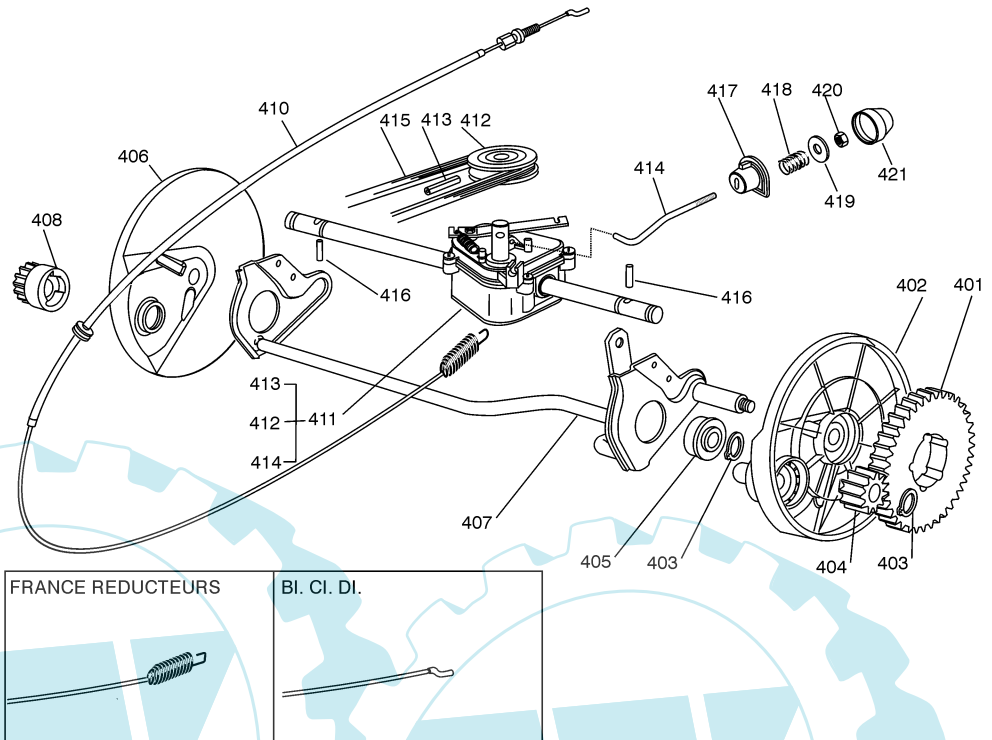
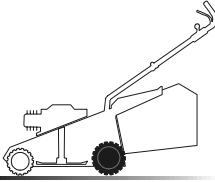
| Pos. | Code       | Q.ty | Descrizione                 | Description                    | Description                   | Beshreibung             | Remarks                   |
|------|------------|------|-----------------------------|--------------------------------|-------------------------------|-------------------------|---------------------------|
| 251  | 22110344/0 | 2    | COPRIMOZZO BIANCO           | HUB CAP WHITE                  | COUVRE-MOYEU BLANC            | RADKAPPE WEIßE          |                           |
| 252  | 12155000/0 | 4    | DADO                        | NUT                            | ECROU                         | MUTTER                  |                           |
| 253  | 12521350/0 | 2    | ROSETTA                     | WASHER                         | RONDELLE                      | SCHEIBE                 |                           |
| 254  | 22122200/0 | 8    | CUSCINETTO                  | BEARING                        | COUSSINET                     | LAGER                   |                           |
| 255  | 81007351/0 | 2    | RUOTA Ø 170                 | WHEEL Ø 170                    | ROUE Ø 170                    | RAD Ø 170               |                           |
| 256  | 81006481/1 | 1    | ASTA COMANDO REGOL. ALTEZZA | ROD, HEIGHT ADJUSTMENT CONTROL | TIGE COMMANDE REGLAGE HAUTEUR | STANGE, HÖHEVERSTELLUNG | (WL 484 TR / WL 484 TR-E) |
| -    | 81006483/1 | 1    | ASTA COMANDO REGOL. ALTEZZA | ROD, HEIGHT ADJUSTMENT CONTROL | TIGE COMMANDE REGLAGE HAUTEUR | STANGE, HÖHEVERSTELLUNG | (WL 534 TR / WL 534 TR-E) |
| 257  | 12530150/0 | 2    | ROSETTA ELASTICA            | ELASTIC WASHER                 | RONDELLE ELASTIQUE            | ELASTISCHE SCHEIBE      |                           |
| 258  | 81000141/0 | 1    | ASSE RUOTE ANTERIORE        | AXLE, FRONT WHEELS             | AXE ROUES AVANT               | ACHSE, VORDERRAD        | (WL 484 TR / WL 484 TR-E) |
| -    | 81000143/0 | 1    | ASSE RUOTE ANTERIORE        | AXLE, FRONT WHEELS             | AXE ROUES AVANT               | ACHSE, VORDERRAD        | (WL 534 TR / WL 534 TR-E) |
| 259  | 12436050/0 | 2    | PIASTRINA                   | PLATE                          | PLAQUETTE                     | PLÄTTCHEN               |                           |
| 260  | 12789000/0 | 2    | VITE                        | SCREW                          | VIS                           | SCHRAUBE                |                           |
| 261  | 81003279/2 | 1    | LEVA REGOLAZIONE ALTEZZA    | LEVER, HEIGHT ADJUSTMENT       | LEVIER, REGLAGE HAUTEUR       | HEBEL, HÖHEVERSTELLUNG  |                           |
| 262  | 12154330/0 | 2    | DADO                        | NUT                            | ECROU                         | MUTTER                  |                           |
| 263  | 81007343/0 | 2    | RUOTA                       | WHEEL                          | ROUE                          | RAD                     |                           |
| 264  | 22110313/0 | 2    | COPRIMOZZO BIANCO           | HUB CAP WHITE                  | COUVRE-MOYEU BLANC            | RADKAPPE WEIßE          |                           |
| 265  | 12369500/0 | 2    | DISCO ELASTICO              | ELASTIC WASHER                 | DISQUE ELASTIQUE              | FEDERSCHEIBE            |                           |
| 266  | 22171002/0 | 1    | DISTANZIALE                 | SPACER                         | ENTRETOISE                    | DISTANZRING             |                           |

# WL 484 TR - WL 484 TR-E - WL 534 TR - WL 534 TR-E

GLOBAL GARDEN PRODUCTS

**3**

03D\_001



03T\_016

| Pos. | Code       | Q.ty | Descrizione              | Description         | Description              | Beshreibung           | Remarks                   |
|------|------------|------|--------------------------|---------------------|--------------------------|-----------------------|---------------------------|
| 401  | 22120105/1 | 2    | CORONA                   | RING GEAR           | COURONNE                 | KRANZ                 |                           |
| 402  | 22600093/0 | 1    | PROT. RUOTE SX           | PROTECTION, L WHEEL | PROTECTION ROUE G        | SCHÜTZ, LINKES RÄDER  |                           |
| 403  | 12608600/0 | 4    | SEEGER                   | SEEGER              | SEEGER                   | SEEGER                |                           |
| 404  | 22570120/1 | 1    | PIGNONE SX               | PINION L            | PIGNON G                 | RITZEL LINKES         |                           |
| 405  | 19216035/0 | 2    | CUSCINETTO               | BEARING             | COUSSINET                | LAGER                 |                           |
| 406  | 22600092/0 | 1    | PROT. RUOTE DX           | PROTECTION, R WHEEL | PROTECTION ROUE D        | SCHÜTZ, RECHTES RÄDER |                           |
| 407  | 81000147/0 | 1    | ASSE RUOTE POSTERIORE    | AXLE, REAR WHEELS   | AXE ROUES ARRIERE        | ACHSE, HINTERRAD      |                           |
| 408  | 22570110/1 | 1    | PIGNONE DX               | PINION R            | PIGNON D                 | RITZEL RECHTES        |                           |
| 410  | 81000672/0 | 1    | CAVO COMANDO TRAZIONE    | CABLE, REAR DRIVE   | CÂBLE, COMMANDE TRACTION | KABEL, ANTRIEB        | (BI. CI. DI.)             |
| -    | 81000668/0 | 1    | CAVO COMANDO TRAZIONE    | CABLE, REAR DRIVE   | CABLE, COMMANDE TRACTION | KABEL, ANTRIEB        | (FRANCE REDUCTEURS)       |
| 411  | 81003081/0 | 1    | GRUPPO TRAZIONE (GRIGIO) | GEAR BOX (GREY)     | GROUPE TRACTION (GRIS)   | ANTRIEB (GRAU)        | (BI. CI. DI.)             |
| -    | 81003076/0 | 1    | GRUPPO TRAZIONE          | GEAR BOX            | GROUPE TRACTION          | ANTRIEB               | (FRANCE REDUCTEURS)       |
| 412  | 22601904/0 | 1    | PULEGGIA                 | PULLEY              | POULIE                   | RIEMENSCHLEIBE        |                           |
| 413  | 12645705/0 | 1    | SPINA                    | PIN                 | GOUPILLE                 | STIFT                 |                           |
| 414  | 22033280/0 | 1    | ASTA REGOLAZIONE         | ADJUSTMENT ROD      | TIGE REGLAGE             | VERSTELLUNGSTANGE     | (BI. CI. DI.)             |
| -    | 22033283/0 | 1    | ASTA REGOLAZIONE         | ADJUSTMENT ROD      | TIGE REGLAGE             | VERSTELLUNGSTANGE     | (FRANCE REDUCTEURS)       |
| 415  | 35063800/0 | 1    | CINGHIA Z 27             | BELT Z 27           | COURROIE Z 27            | RIEMEN Z 27           | (WL 484 TR / WL 484 TR-E) |
| -    | 35063902/0 | 1    | CINGHIA Z 29.5           | BELT Z 29.5         | COURROIE Z 29.5          | RIEMEN Z 29.5         | (WL 534 TR / WL 534 TR-E) |
| 416  | 22753000/0 | 2    | SPINA                    | PIN                 | GOUPILLE                 | STIFT                 |                           |
| 417  | 22041957/1 | 1    | BUSSOLA                  | BUSH                | DOUILLE                  | BUCHSE                |                           |
| 418  | 22450063/0 | 1    | MOLLA                    | SPRING              | RESSORT                  | FEDER                 |                           |
| 419  | 22680009/0 | 1    | ROSETTA                  | WASHER              | RONDELLE                 | SCHEIBE               |                           |
| 420  | 12154510/0 | 1    | DADO                     | NUT                 | ECROU                    | MUTTER                |                           |
| 421  | 22110230/0 | 1    | TAPPO                    | CAP                 | BOUCHON                  | GUMMISTOPFEN          |                           |

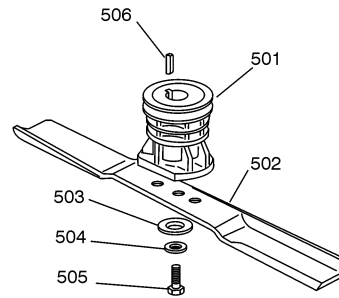
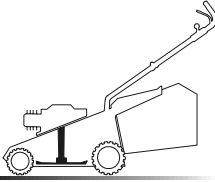
# WL 484 TR - WL 484 TR-E - WL 534 TR - WL 534 TR-E

106

GLOBAL GARDEN PRODUCTS

## 5

05D\_003

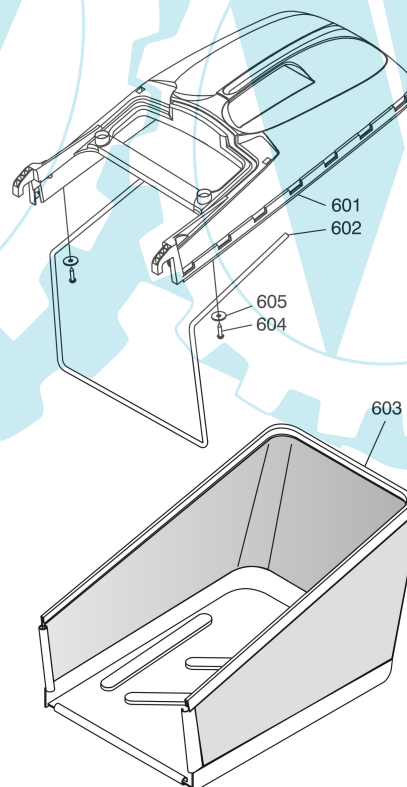
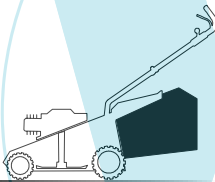


05T.031

| Pos. | Code       | Q.ty | Descrizione        | Description     | Description        | Beshreibung        | Remarks |
|------|------------|------|--------------------|-----------------|--------------------|--------------------|---------|
| 501  | 22465607/0 | 1    | MOZZO CON PULEGGIA | HUB WITH PULLEY | MOYEU AVEC POULIE  | NABE MIT SCHEIBE   |         |
| 502  | 81004346/3 | 1    | COLTELLO STANDARD  | BLADE STANDARD  | LAME STANDARD      | MESSER STANDARD    | (46 cm) |
| -    | 81004381/1 | 1    | COLTELLO STANDARD  | BLADE STANDARD  | LAME STANDARD      | MESSER STANDARD    | (51 cm) |
| 503  | 22160400/0 | 1    | DISCO ELASTICO     | ELASTIC WASHER  | RONDELLE ELASTIQUE | ELASTISCHE SCHEIBE |         |
| 504  | 12523080/0 | 1    | ROSETTA            | WASHER          | RONDELLE           | SCHEIBE            |         |
| 505  | 12735698/0 | 1    | VITE               | SCREW           | VIS                | SCHRAUBE           |         |
| 506  | 12139100/0 | 1    | LINGUETTA          | FEATHER         | CLAVETTE           | KEIL               |         |

## 6

06D\_013



06T.013

| Pos. | Code       | Q.ty | Descrizione      | Description           | Description            | Beshreibung        | Remarks |
|------|------------|------|------------------|-----------------------|------------------------|--------------------|---------|
| 601  | 22486101/1 | 1    | SACCO, PARTE SUP | GRASS-BOX, UPPER PART | SAC, PARTIE SUPERIEURE | KORB, OBERTEIL     |         |
| 602  | 22608525/0 | 1    | RINFORZO INF     | STIFFENING LOWER      | RÉNFORCEMENT INF       | VERSTÄRKUNG UNTERE |         |
| 603  | 81002211/0 | 1    | SACCO, TELA      | BOX, FABRIC           | SAC, TOILE             | SACK, TUCK         |         |
| 604  | 12728680/0 | 2    | VITE             | SCREW                 | VIS                    | SCHRAUBE           |         |
| 605  | 12523050/0 | 2    | ROSETTA          | WASHER                | RONDELLE               | SCHEIBE            |         |